



SPECIFICATION

Customer Name					
Customer No.					
Product Description			Photo Interrupter		
Product Model			ORTR-9606		
Orient Confirm			Customer Confirm		
Approved by	Checked by	Prepared by	Approved by	Quality	Engineering
Linshixiu	Huanghai jun	Sushiheng			
Judge outcome:		OK	Judge outcome:		



静电敏感元件



**Add: Block A 3rd Floor No.4 Building, Tian'an Cyber Park, Huangge Rd,
LongGangDist, Shenzhen, GD**
TEL: 0755-29681816 **FAX:0755-29681200**
URL: www.orient-opto.com



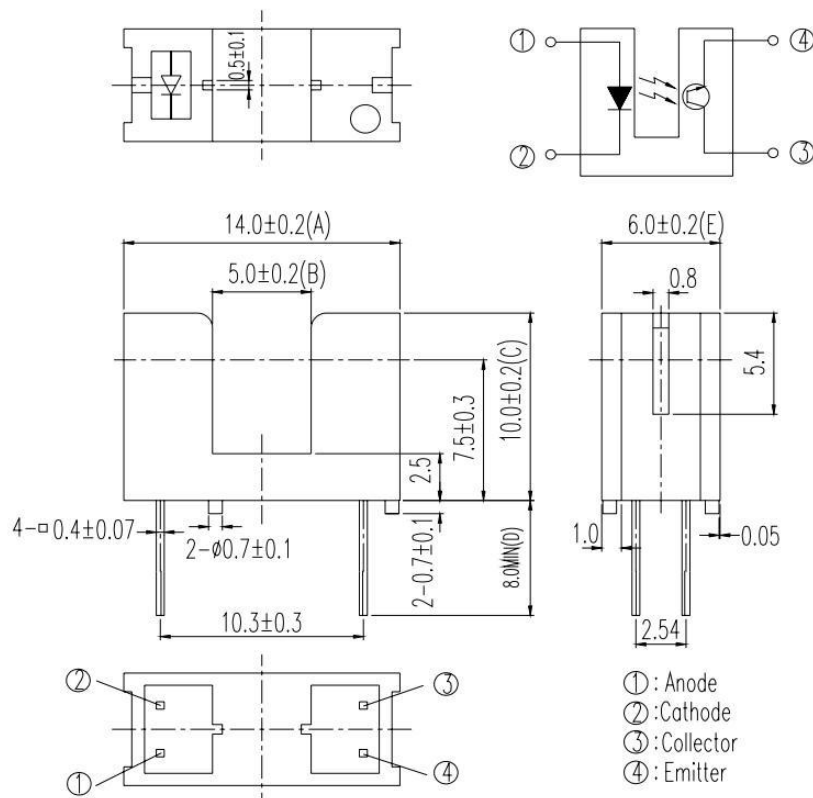
1、 Features

- Wide gap 5.0mm
- Slit 0.8mm
- PWB mounting type package
- Pb free
- This product itself will

2、 Applications

- Printers
- FAX
- Copiers
- Scanners
- Amusement machines

3、 Package Outline Dimensions



Notes:

- 1.All dimensions are in millimeters
- 2.Tolerances unless dimensions ±0.3mm
- 3.Lead spacing is measured where the lead emerge from the package



4、 Absolute maximum ratings at Ta=25°C

	Parameter	Symbol	Rating	Unit
Input	Power Dissipation	P_D	75	mW
	Forward Current	I_F	50	mA
	Peak Forward Current Pulse width $\leq 100\mu s$, Duty cycle=1%	I_{FP}	1	A
	Reverse Voltage	V_R	5	V
Output	Collector Power Dissipation	P_C	75	mW
	Collector Current	I_C	20	mA
	C-E Voltage	V_{CEO}	30	V
	E-C Voltage	V_{ECO}	5	V
Operating Temperature Range		T_{opr}	-25~+85	°C
Storage Temperature Range		T_{stg}	-40~+85	°C
Soldering Temperature *1		T_{sol}	260	°C

Notes: *1 Soldering time ≤ 5 seconds.

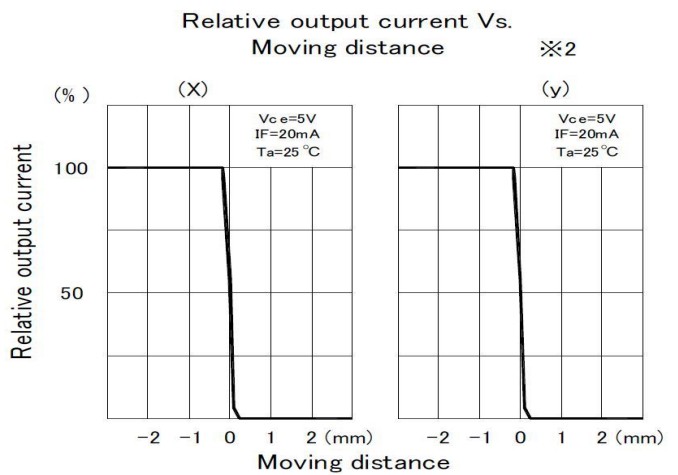
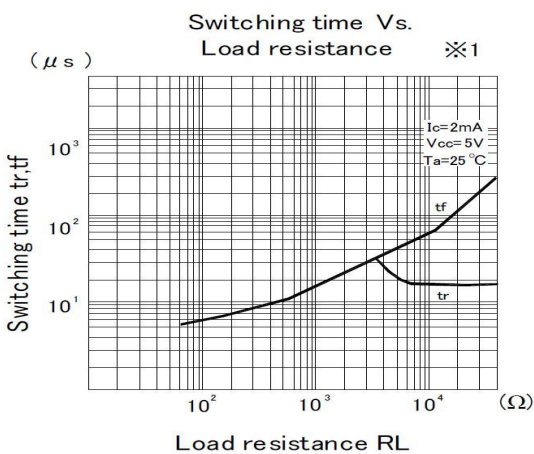
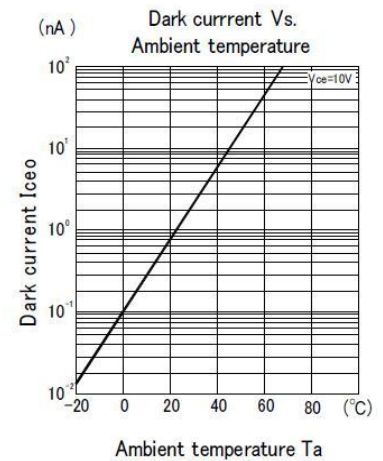
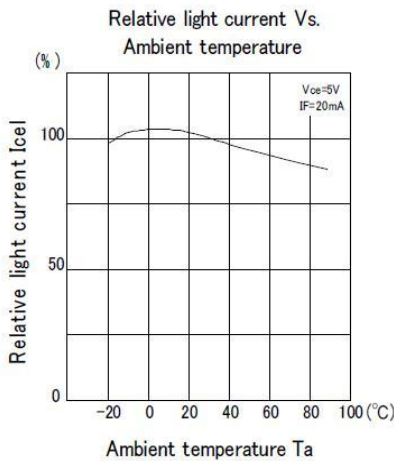
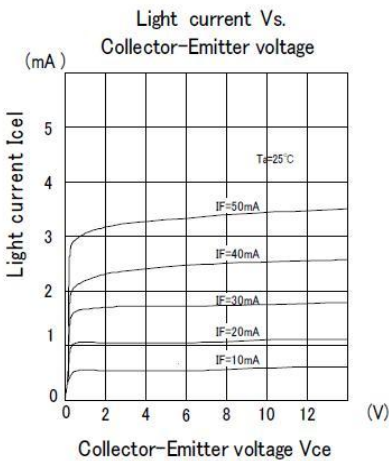
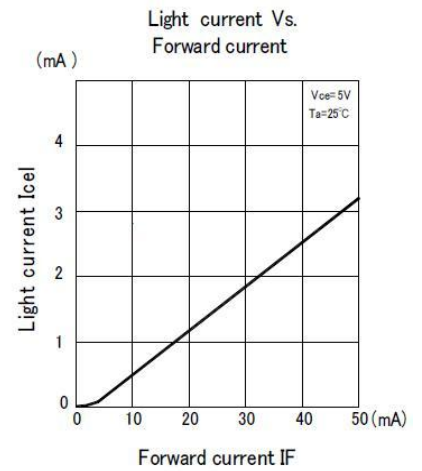
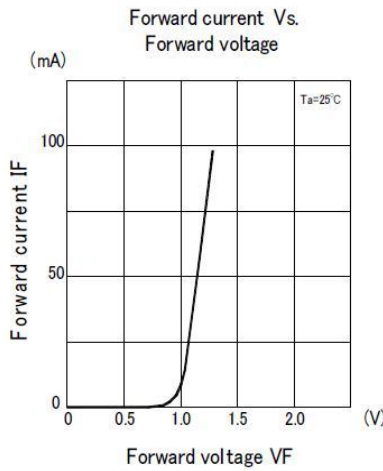
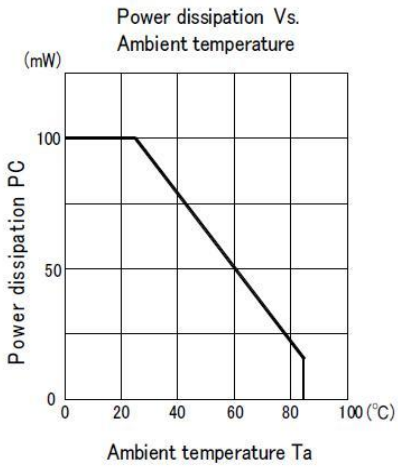


5、Electrical-optical characteristics at Ta=25°C

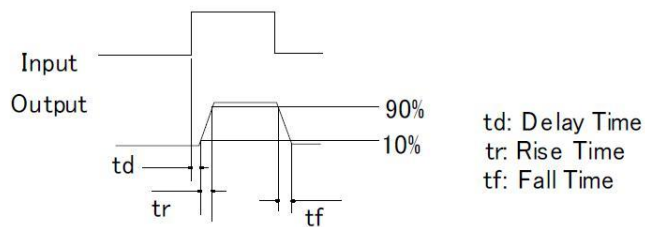
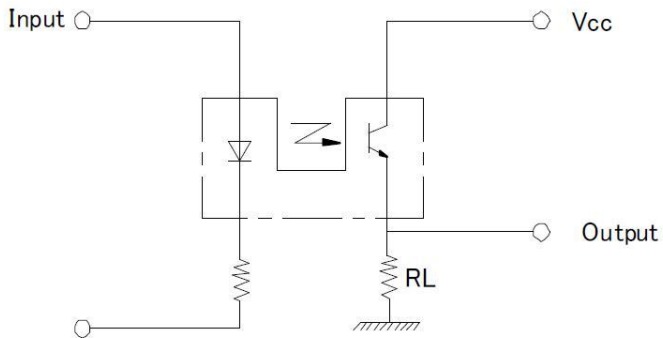
Parameter	Symbol	Condition	Min.	Typ.	Max.	Unit	
Input	Forward Voltage	V_F	$I_F=20\text{mA}$	-	1.2	1.6	V
	Reverse Current	I_R	$V_R=5\text{V}$	-	-	10	μA
	Peak Wave Length	λ_P	$I_F=20\text{mA}$	-	940	-	nm
Output	Collector Dark Current	I_{CEO}	$V_{CE}=20\text{V}$ $E_e=0\text{mW/cm}^2$	-	-	100	nA
	C-E Saturation Voltage	$V_{CE(sat)}$	$I_C=2\text{mA}$ $E_e=1\text{mW/cm}^2$	-	-	0.4	V
Transfer Characteristics	Collect Current	$I_C(on)$	$V_{CE}=5\text{V}$ $I_F=20\text{mA}$	0.2	-	-	mA
	Rise Time	t_r	$V_{CE}=5\text{V}$ $I_C=1\text{mA}$	-	15	-	μs
	Fall Time	t_f	$R_L=1000\ \Omega$	-	15	-	μs



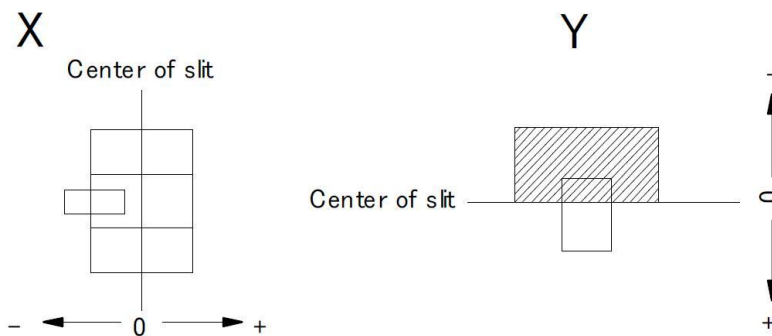
6. Typical Electrical/Optical/Characteristics Curves



*1 Switching time measurement circuit



*2 Method of measuring position detection characteristic



7、 Packing Quantity Specification

1. 150PCS/1Page, 600PCS/1Box
2. 10Boxes/1Carton



8、 Note

1. Above specification may be changed without notice. ORIENT will reserve authority on material change for above specification.
2. When using this product, please observe the absolute maximum ratings and the instruction for using outlined in these specification sheets. ORIENT assumes no responsibility for any damage resulting from use of the product which does not comply with the absolute maximum ratings and the instructions included in these specification sheets.
3. These specification sheets include materials protected under copyright of ORIENT corporation. Please don't reproduce or cause anyone to reproduce them without ORIENT 's consent.