



SPECIFICATION

Customer Name					
Customer No.					
Product Description			3528 TOP VIEW IR LED		
Product Model			OR-PL3528IRC-H		
Orient Confirm			Customer Confirm		
Approved by	Checked by	Prepared by	Approved by	Quality	Engineering
Huangshen ghuang	Huanghai jun	Lishushen			
Judge outcome:		OK	Judge outcome:		



静电敏感元件



**Add: Block A 3rd Floor No.4 Building, Tian'an Cyber Park, Huangge Rd,
LongGangDist, Shenzhen, GD**
TEL: 0755-29681816 **FAX:0755-29681200**
URL: www.orient-opto.com



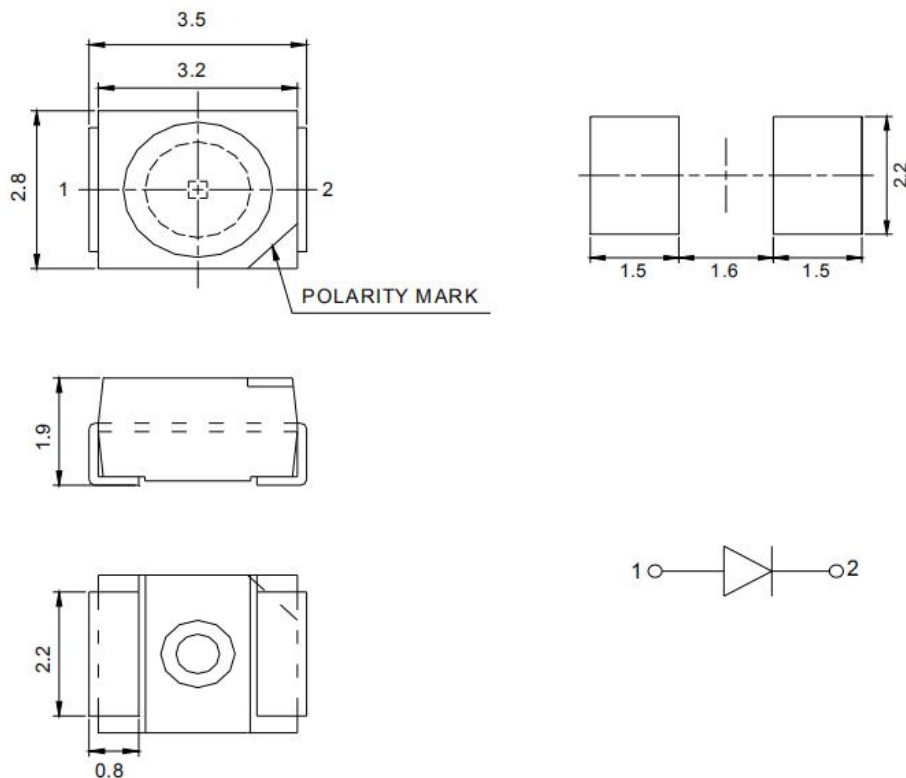
1、 Features

- Dimensions:3.5x2.8x1.9mm.
- Wide viewing angle
- The product itself will remain within RoHS compliant version

2、 Applications

- Infrared applied system
- Wireless communication
- CCTV

3、 Package Outline Dimensions



Notes:

- The tolerances unless mentioned are ± 0.25 mm, unit = mm.
- Specifications are subject to change without notice



4、 Absolute maximum ratings at Ta=25°C

Parameter	Symbol	Typical	Unit
Power Dissipation	Pd	200	mW
Forward current	If	100	mA
Reverse voltage	Vr	5	V
Peak Forward Current*1	IFP	200	mA
Operating temperature range	Top	-40 ~+85	°C
Storage temperature range	Tstg	-40~+85	°C

Soldering temperature Tslid Reflow Soldering:260°C for 10 secs

Notes: *1: Pulse width≤0.1ms, Duty cycle≤1%

5、 Electrical-optical characteristics at Ta=25°C

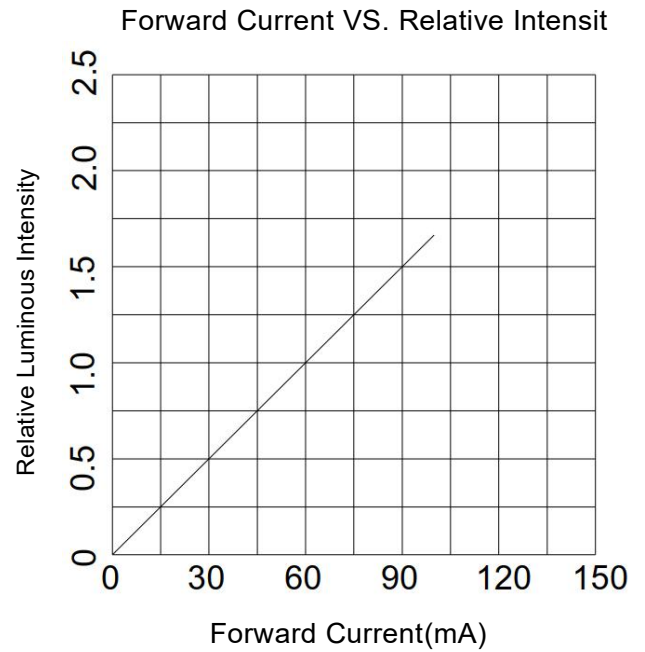
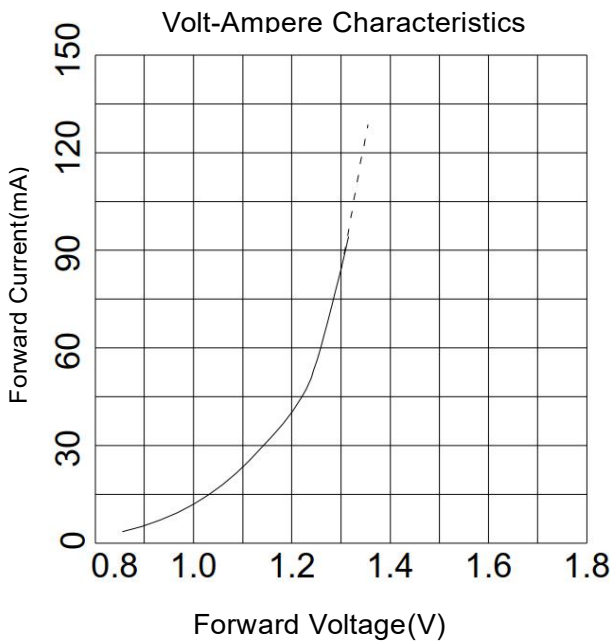
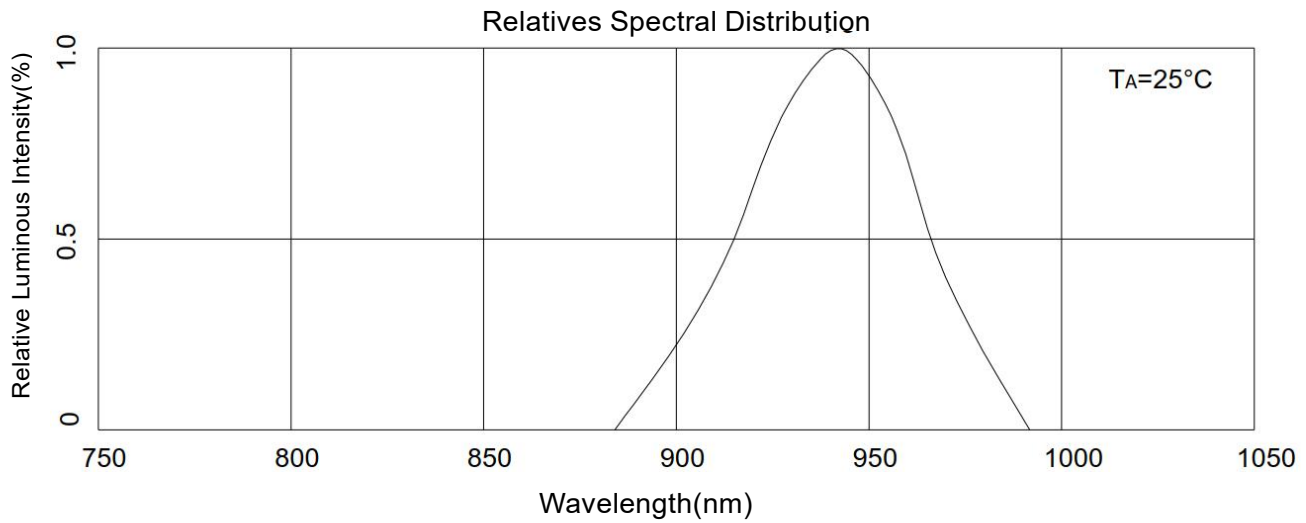
Parameter	Test Condition	Symbol	Min.	Typ.	Max.	Unit
Total Radiated Power	If=60mA	Po	--	20	--	mW
Peak Wavelength	If=60mA	λP	--	940	--	nm
Forward voltage	If=60mA	VF	--	1.3	1.8	V
Reverse current	Vr=5V	IR	--	--	10	UA
Viewing angle	If=60mA	2 θ 1/2	--	120	--	Deg

Notes:

- 1、 Tolerance of forward voltage is ±0.1V.
- 2、 Luminous Intensity: ±15%

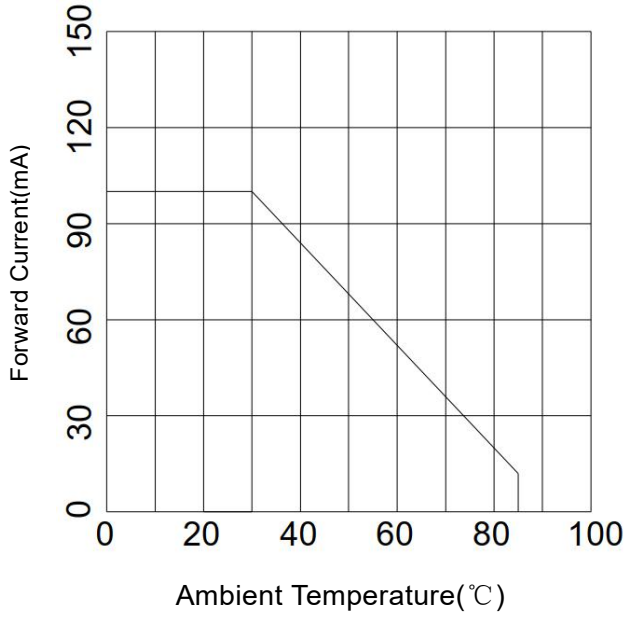


6、Typical optical characteristics curves

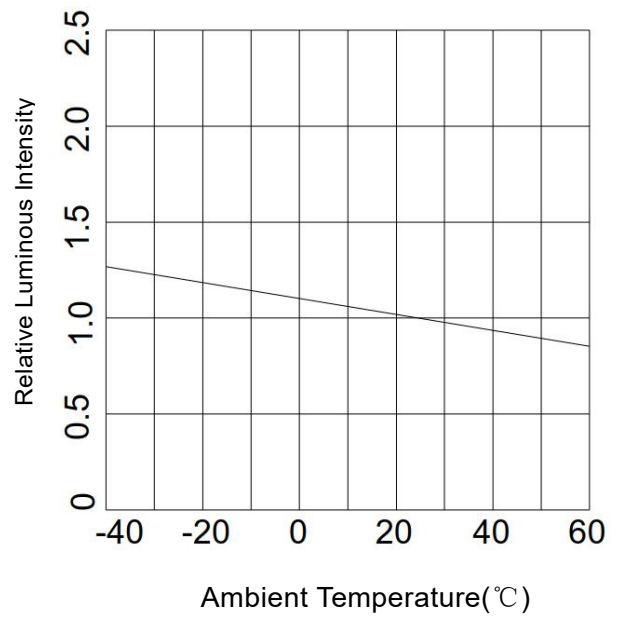




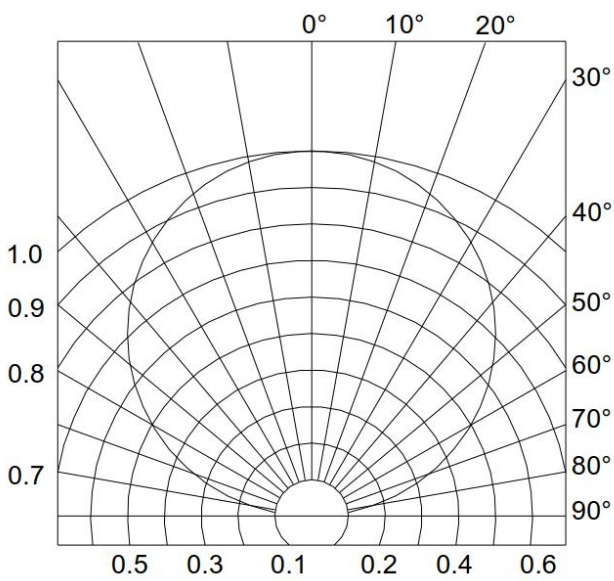
Ambient Temperature VS. Forward Current



Ambient Temperature VS. Relative Intensity



Radiation Diagram





7、VF Rank

Test Condition IF=60mA

VF(V)					
Rank	Min.	Max.	Rank	Min.	Max.
V12	1.2	1.3	V13	1.3	1.4
V14	1.4	1.5	V15	1.5	1.6
V16	1.6	1.7	V17	1.7	1.8

Notes:

- 1、Tolerance of forward voltage is $\pm 0.05V$.

8、Po Rank

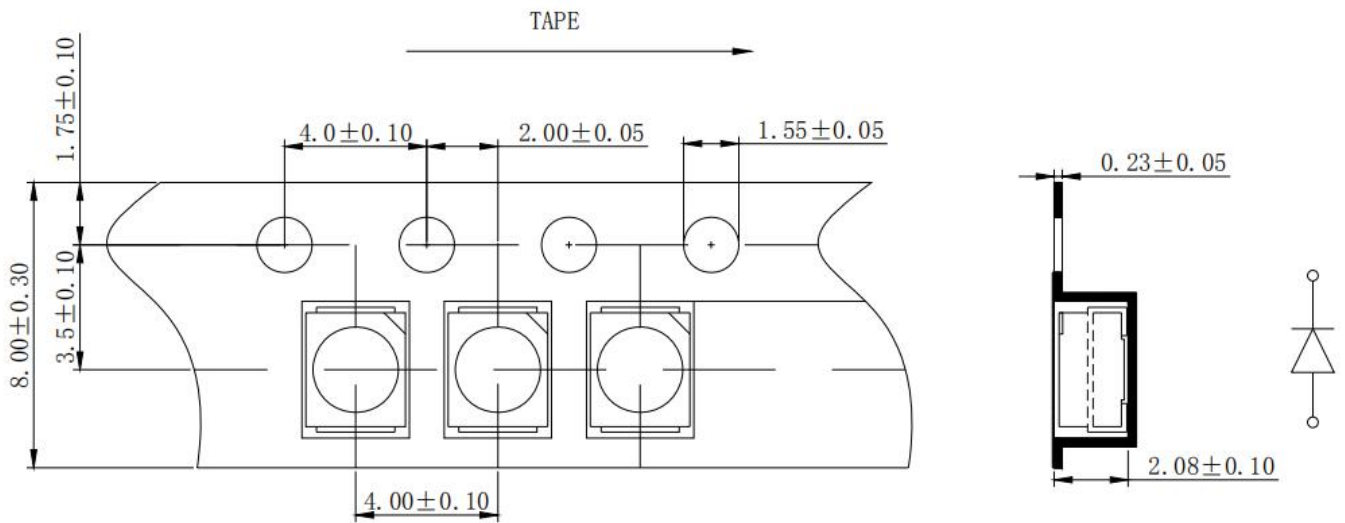
Test Condition IF=60mA

Po(mw)					
Rank	Min.	Max.	Rank	Min.	Max.
E15	15	18	E18	18	21
E21	21	25			

Notes:

- 1、Tolerance $\pm 15\%$.

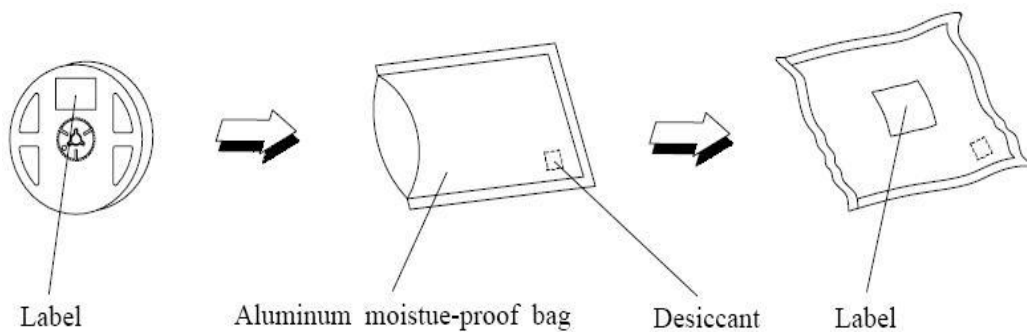
9、Tape specifications (Units:mm)



Notes:

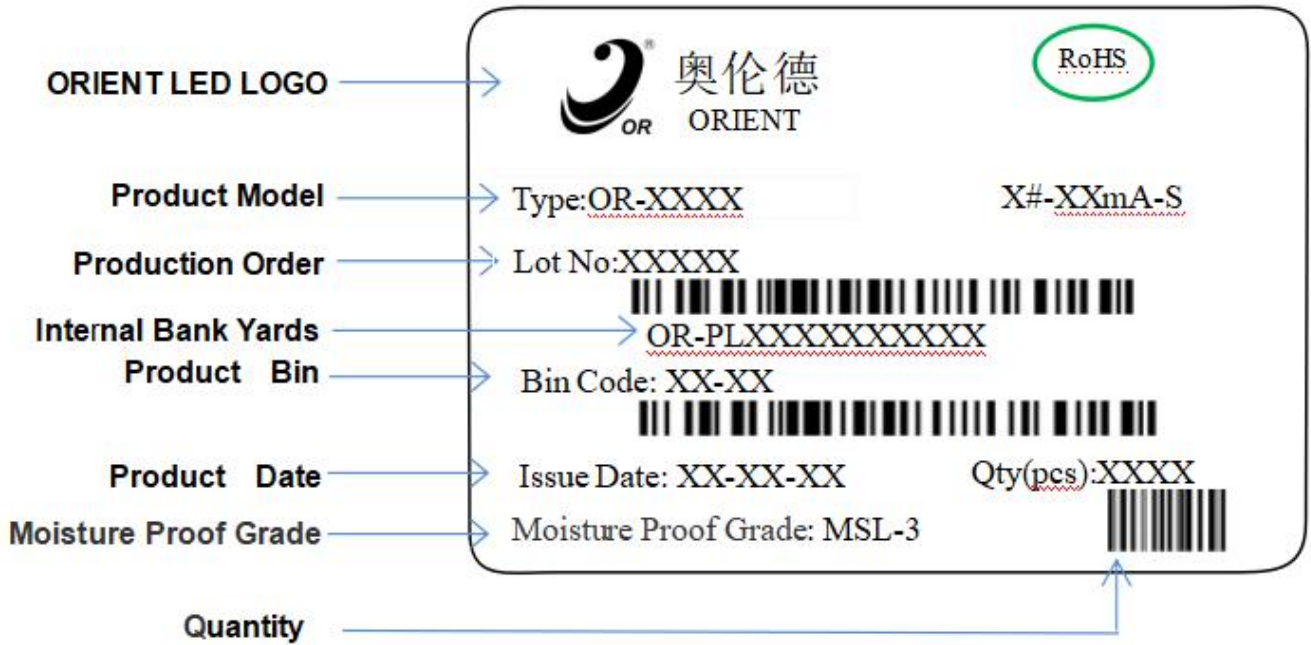
- 1、 All dimensions are in mm, tolerance is $\pm 2.0\text{mm}$ unless otherwise noted.
- 2、 Specifications are subject to change without notice.
- 3、 Loaded quantity: 2000 pcs/reel.

10、Moisture Resistant Packaging

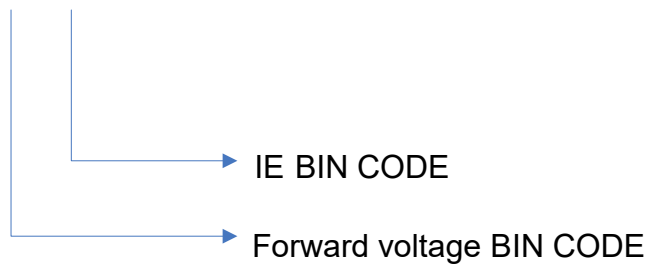




11、Label description



●BIN description: X-X



12、Precautions for use

1、Soldering

SMD LED encapsulation is very flexible, outside force easily demolish radiant surface and plastic, As soldering , Please handle with care !

1.1. With No-clean Flux, according to reflow soldering cure condition when soldering, Reflow soldering should not be done more than two times, simultaneity you must insure clean on the radiant surface. Otherwise, foreign objects can affect radiant color.

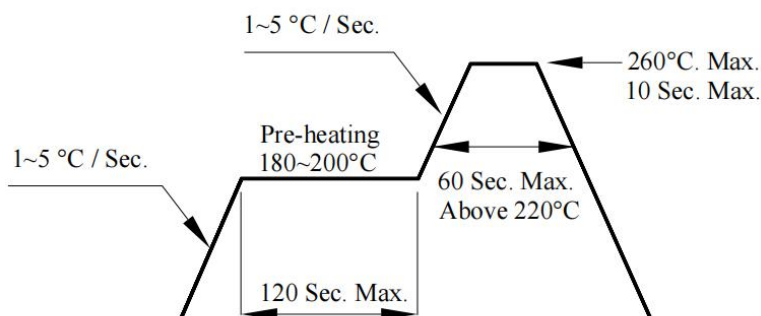
1.2. Don't process manual soldering except repair. Recommended to be soldered with 25W Anti-static iron, The temp. of the iron should be lower than 300°C and soldering time should not be done more than three seconds, at the same time iron can't touch radiant surface and plastic.

1.3. Don't twist LED in course of manual soldering and experiment, otherwise, the lights will not work possibly.

1.4. Please use the same BIN grade in one panel, and don't mix the difference BIN grade in one panel when soldering. Otherwise, it will cause a serious uneven color problem.

1.5. Please control the sulfur content of solder paste and PCB.

1.6. Pb-free solder temp.-time profile as below:260°C Max



2、Cleaning

2.1. Don't be cleaned with ultrasonic. Recommended to be wiped with isopropyl alcohol or pure alcohol, wiping time should not be more than one minute. LED must be placed at room temperature for fifteen minutes before using. After cleaning, you must insure clean on the radiant surface. Otherwise, foreign objects can affect radiant color.

2.2. LED can not be in contact with isoamyl acetate, trichloroethylene, acetone, sulfide, nitride, acid, alkali, salt. These matter can destroy LED.

3、Sealing

3.1. Sealing glue can not contain sodium ion, sulfide, because these matter can affect fluorescence powder poisoning.

3.2. When using normal sealing glue, Recommended to be operated life for 168hrs under normal temperature.



4、 Storage

- 4.1. Don't open the moisture proof bag before ready to use the LEDs.
- 4.2. The LEDs should be kept at 30°C or less and 60%RH or less before opening the package. The max. storage period before opening the package is 1 year.
- 4.3. After opening the package, the LEDs should be kept at 30-35%RH or less, and it should be used within 3 days. If the LEDs should be kept at 30-35%RH or more, and it should be used within 4 hours.
- 4.4. If the LEDs be kept over the conditions of 20%, baking is required before mounting. Baking condition as below: 70±5°C for 12 hrs for bulk goods, 105±5°C for 1 hrs for roll goods.
- 4.5. The environment have no acid, alkali, corrosive gas, intensively shake and high magnetic field.

5、 Static

- 5.1. Static and Peak surge voltage can destroy LED, Avoiding Instantaneous voltage when turn on or turn off the lights.
- 5.2. Please wear Anti-static wrist band, Anti-static glove, Anti-static shoes in the course of operation, and the equipment must be grounded.

6、 Test

- 6.1. Customer must apply the current limiting resistor in the circuit so as to drive the LEDs within the rated current. Otherwise slight voltage shift maybe will cause big current change and burn out will happen.
- 6.2. Also, caution should be taken not to overload the LEDs with instantaneous high voltage at the turning ON and OFF of the circuit. Otherwise, The LEDs will be destroyed, testing methods as follows:
- 6.3. The reverse voltage mustn't exceed 5v when lighting on or testing the LED, otherwise, The LEDs will be damaged.

7、 Else

Radiant color of LEDs have a little change with the current, recommended that LED is used in series and resistance, when lighting, please don't see directly radiant surface of LED, otherwise LED will burn eyes.