



SPECIFICATION

Customer Name					
Customer No.					
Product Description			0603 Phototransiator LED		
Product Model			OR-PT0603LF-C1-4T		
Orient Confirm			Customer Confirm		
Approved by	Checked by	Prepared by	Approved by	Quality	Engineering
Huangshenghuang	Huanghaijun	Sushiheng			
Judge outcome:		OK	Judge outcome:		



静电敏感元件



Add: Block A 3rd Floor No.4 Building Tian An Cyber Park Huang Ge Rd, Long Gang Dist, Shenzhen, GD
 TEL: 0755-29681816 URL: www.orient-opto.com



1、 Features

- Small double-end package.
- High reliability.
- High photo sensitivity.
- Small junction capacitance.
- Lens color : Water Clear.
- Pb free.
- The product itself will remain within RoHS compliant version.

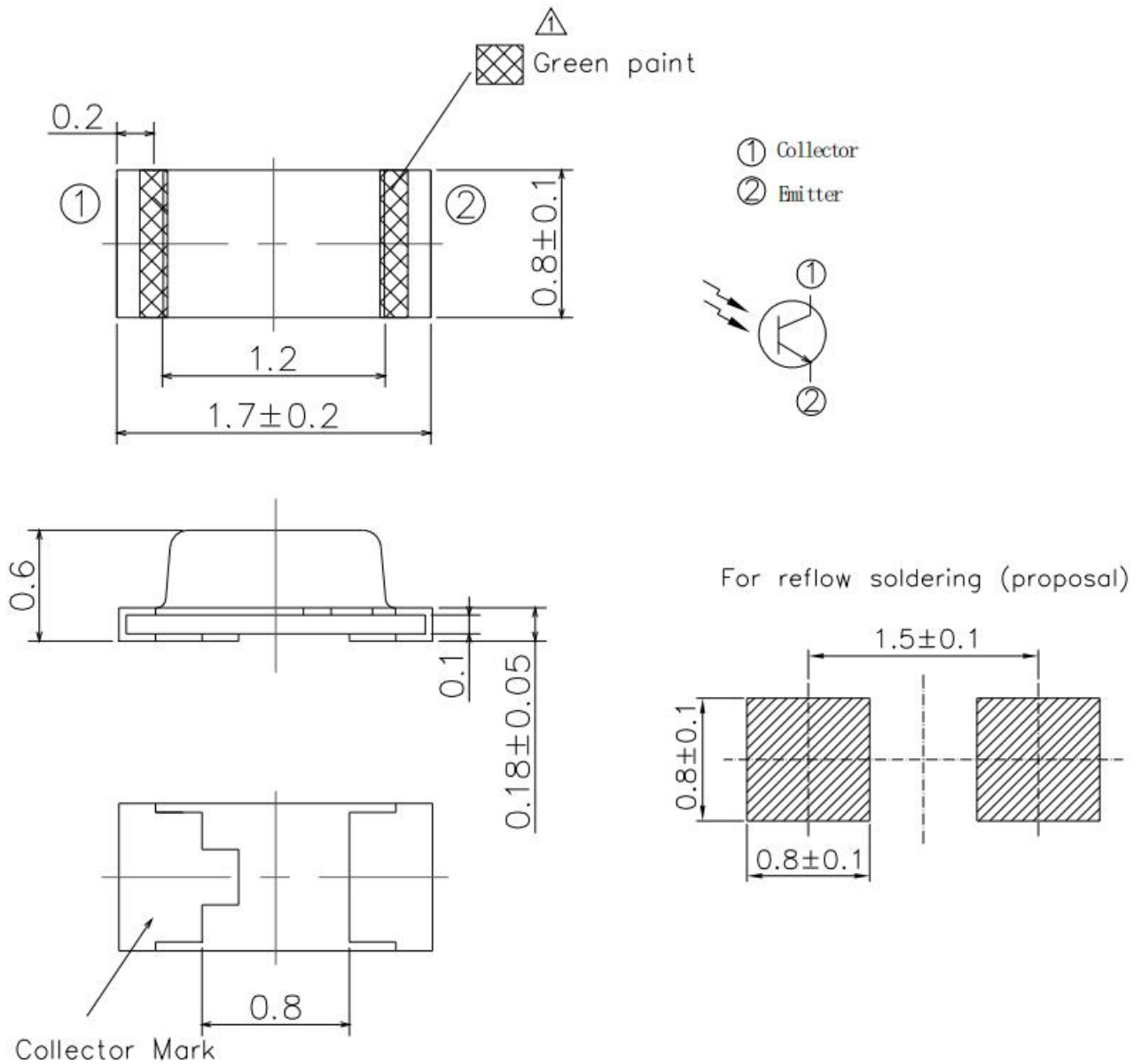
2、 Applications

- Infrared applied system..

3、 Device Selection Guide

LED Part No	Chip Material	Resin Color
OR-PT0603LF-C1-4T	NPN	Water Clear

4、 Package Outline Dimensions



- 1). Tolerance is $\pm 0.10\text{mm}$ unless otherwise specified.
- 2). Specifications are subject to change without notice.



5、 Absolute maximum ratings at Ta=25°C

Parameter	Symbol	Rating	Unit
Power Dissipation	Pd	75	mW
Collector-Emitter Voltage	VCEO	30	V
Emitter-Collector Voltage	VECO	5	V
Collector Current	IC	20	mA
Operating Temperature Range	T _{opr}	-40~+85	°C
Storage Temperature Range	T _{stg}	-40~+100	°C
Soldering Temperature	T _{slid}	Reflow Soldering:260°C ≤ 5 secs	

6、 Electrical-optical characteristics at Ta=25°C

Parameter	Symbol	Condition	Min.	Typ.	Max.	Unit
Rang Of Spectral Bandwidth	λ 0.1	-	500	-	1100	nm
Wavelength Of Peak Sensitivity	λ p	-	-	940	-	nm
Collector-Emitter Breakdown Voltage	BVCEO	IC=100uA Ee=0mW/cm2	30	-	-	V
Emitter-Collector Breakdown Voltage	BVECO	IC=100uA Ee=0mW/cm2	5	-	-	V
Collector-Emitter Saturation Voltage	VCE(sat)	IC=2mA IB=100uA	-	-	0.4	V
Collector Dark Current	ICEO	VCE=20V Ee=0mW/cm2	-	-	100	nA
Rise Time	tr	VCE=5V IC=1mA	-	15	-	uS
Fall Time	tf	RL=1000Ω	-	15	-	uS

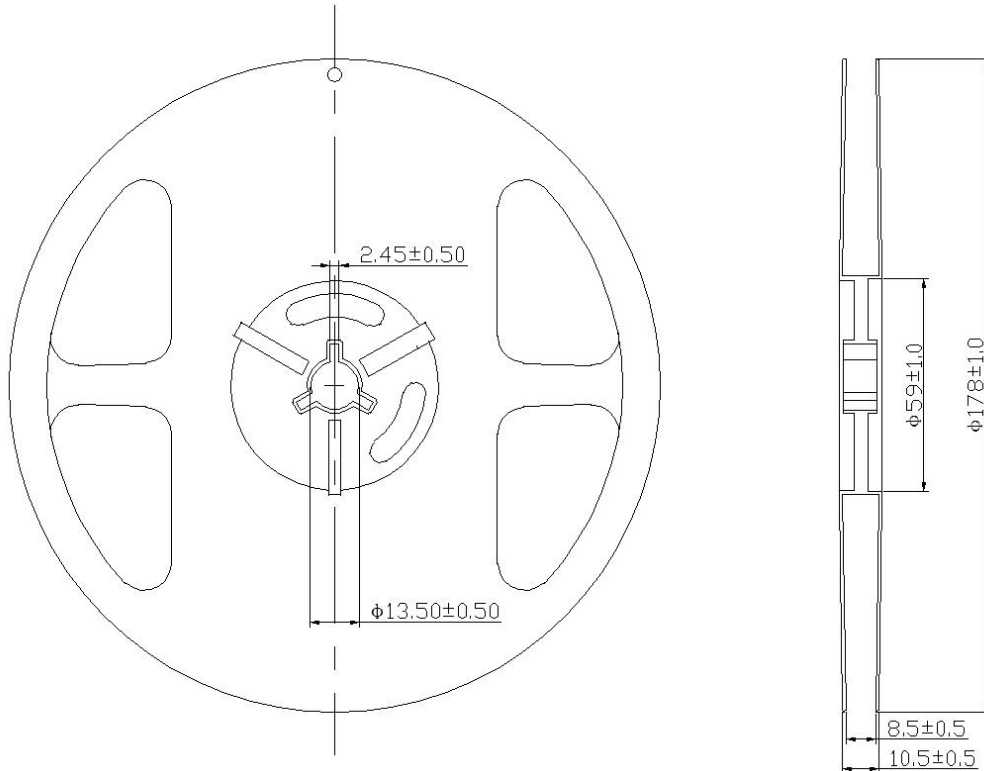


7、 Bin Range of Radiant Intensity

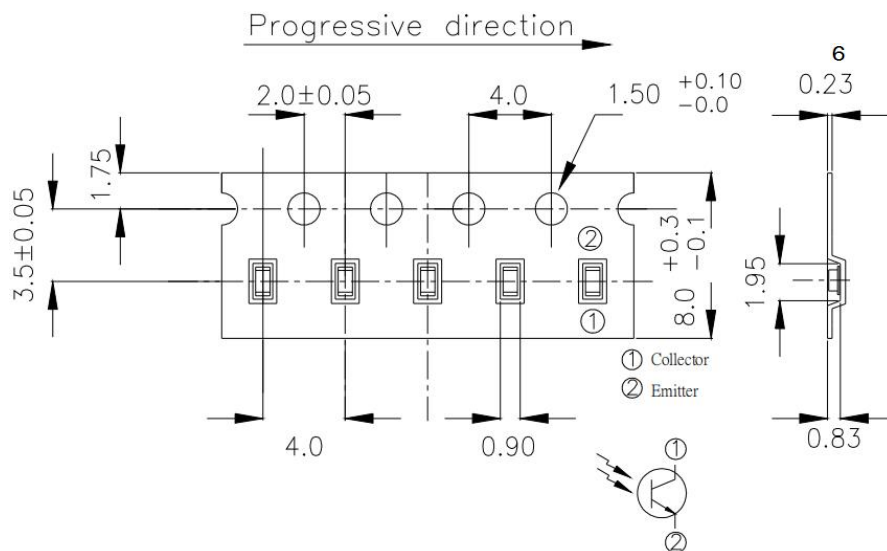
Bin	Min	Max	Unit	Condition
A1	0.27	0.66	mA	VCE=5V
A2	0.54	1.00		Ee=1mW /cm ²
A3	0.81	1.32		$\lambda_p=940\text{nm}$

8、Packaging Specification

●Dimensions for Reel (Unit: mm)



●Dimensions of Tape (Unit: mm)

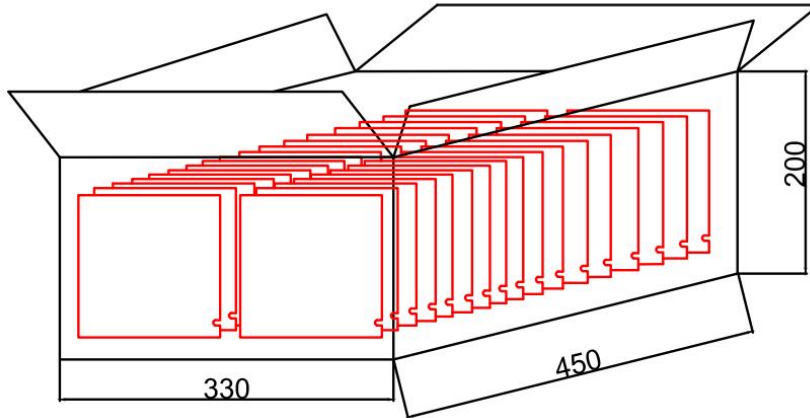


Notes:

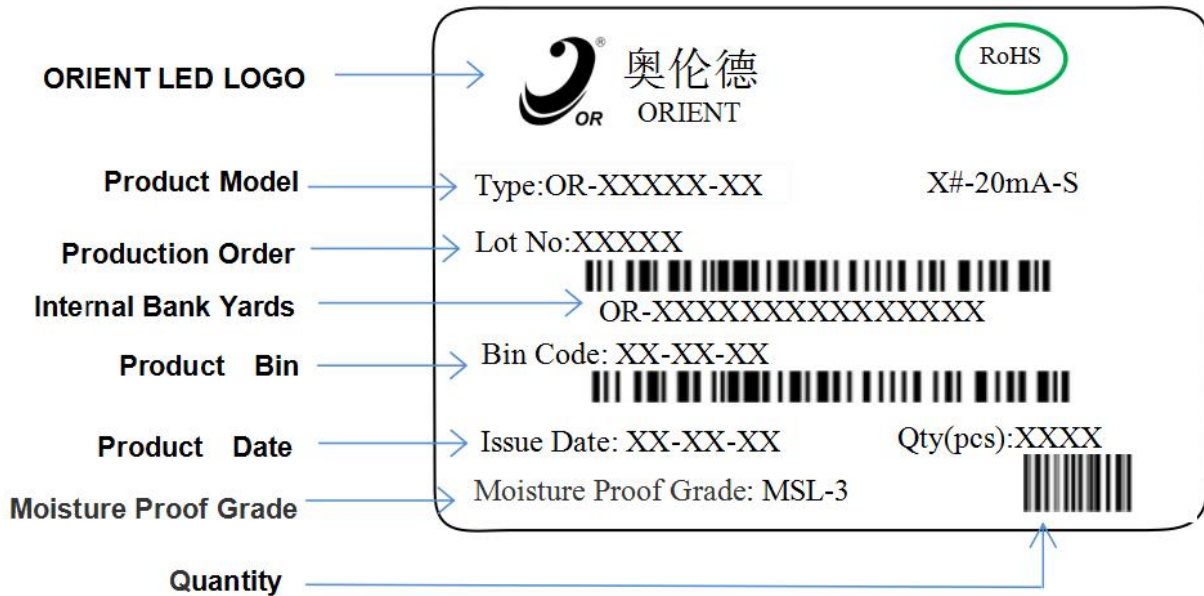
- 1、 All dimensions are in mm, tolerance is ± 0.1 mm unless otherwise noted.
- 2、 Specifications are subject to change without notice.
- 3、 Loaded quantity: 4000 pcs/reel.



- Package Method: Vacuum (Unit: mm)



9、Label description



10、Precautions for use

1、Soldering

SMD LED encapsulation is very flexible, outside force easily demolish radiant surface and plastic, As soldering , Please handle with care !

1.1. With No-clean Flux, according to reflow soldering cure condition when soldering, Reflow soldering should not be done more than two times, simultaneity you must insure clean on the radiant surface. Otherwise, foreign objects can affect radiant color.

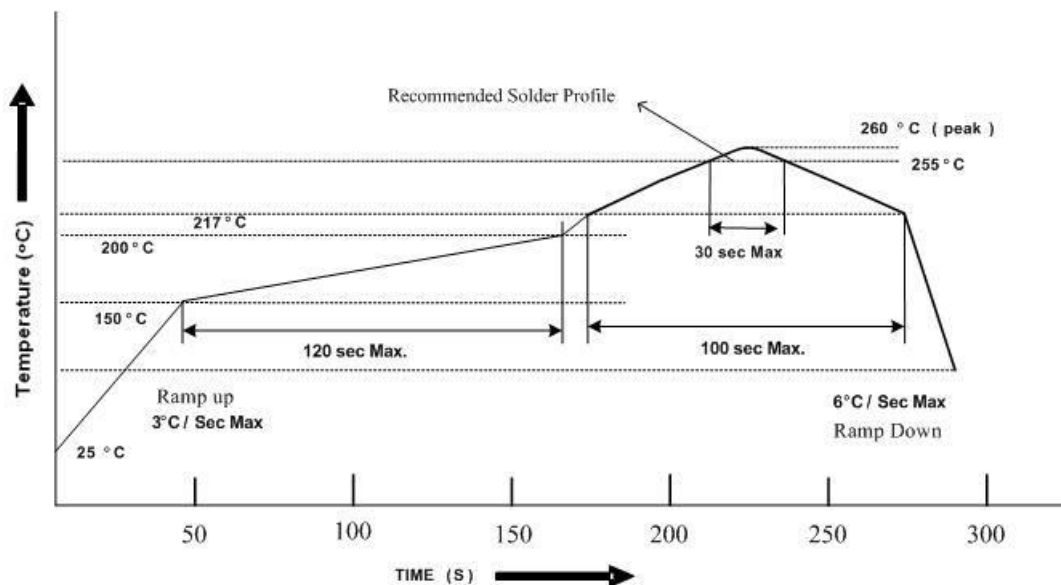
1.2. Don't process manual soldering except repair. Recommended to be soldered with 25W Anti-static iron, The temp. of the iron should be lower than 300°C and soldering time should not be done more than three seconds, at the same time iron can't touch radiant surface and plastic.

1.3. Don't twist LED in course of manual soldering and experiment, otherwise, the lights will not work possibly.

1.4. Please use the same BIN grade in one panel, and don't mix the difference BIN grade in one panel when soldering. Otherwise, it will cause a serious uneven color problem.

1.5. Please control the sulfur content of solder paste and PCB.

1.6. Pb-free solder temp.-time profile as below:260°C Max



2、Cleaning

2.1. Don't be cleaned with ultrasonic. Recommended to be wiped with isopropyl alcohol or pure alcohol, wiping time should not be more than one minute. LED must be placed at room temperature for fifteen minutes before using. After cleaning, you must insure clean on the radiant surface. Otherwise, foreign objects can affect radiant color.

2.2. LED can not be in contact with isoamyl acetate, trichloroethylene, acetone, sulfide, nitride, acid, alkali, salt. These matter can destroy LED.

3、Sealing

3.1. Sealing glue can not contain sodium ion, sulfide, because these matter can affect fluorescence powder poisoning.

3.2. When using normal sealing glue, Use within 168 hours after opening



4、 Storage

- 4.1. Don't open the moisture proof bag before ready to use the LEDs.
- 4.2. The LEDs should be kept at 30°C or less and 60%RH or less before opening the package. The max. storage period before opening the package is 1 year.
- 4.3. After opening the package, the LEDs should be kept at 30-35%RH or less, and it should be used within 3 days. If the LEDs should be kept at 30-35%RH or more, and it should be used within 4 hours.
- 4.4. If the LEDs be kept over the conditions of 20%, baking is required before mounting. Baking condition as below: 70±5°C for 12 hrs for bulk goods, 105±5°C for 1 hrs for roll goods.
- 4.5. The environment have no acid, alkali, corrosive gas, intensively shake and high magnetic field.

5、 Static

- 5.1. Static and Peak surge voltage can destroy LED, Avoiding Instantaneous voltage when turn on or turn off the lights.
- 5.2. Please wear Anti-static wrist band, Anti-static glove, Anti-static shoes in the course of operation, and the equipment must be grounded.

6、 Test

- 6.1. Customer must apply the current limiting resistor in the circuit so as to drive the LEDs within the rated current. Otherwise slight voltage shift maybe will cause big current change and burn out will happen.
- 6.2. Also, caution should be taken not to overload the LEDs with instantaneous high voltage at the turning ON and OFF of the circuit. Otherwise, The LEDs will be destroyed, testing methods as follows:
- 6.3. The reverse voltage mustn't exceed 5v when lighting on or testing the LED, otherwise, The LEDs will be damaged.

7、 Else

Radiant color of LEDs have a little change with the current, recommended that LED is used in series and resistance, when lighting, please don't see directly radiant surface of LED, otherwise LED will burn eyes.